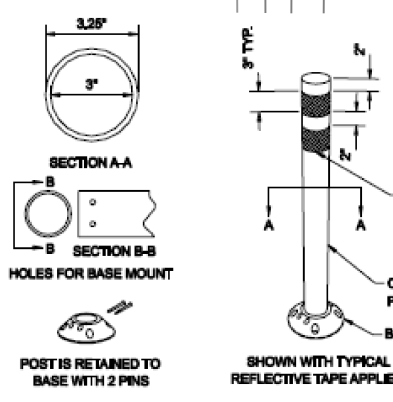
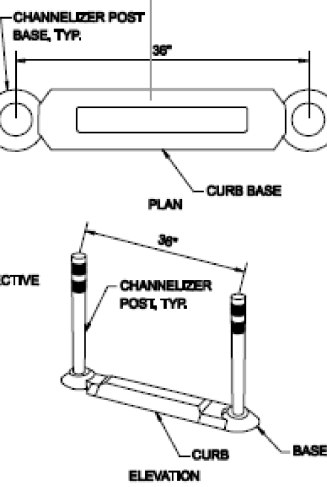


FLEXIBLE CHANNELIZER POST DETAIL
N.T.S.



CHANNELIZER CURB SYSTEM DETAIL
N.T.S.



- NOTES:**
1. INSTALLATION TO BE COMPLETED IN ACCORDANCE WITH MANUFACTURER'S SPECIFICATIONS.
 2. DIMENSIONS, MATERIALS, AND ATTACHMENTS MAY VARY BETWEEN MANUFACTURERS.
 3. COLOR OF POST SHALL MATCH COLOR OF APPLICABLE EDGE LINE.
 4. SUGGESTED MANUFACTURERS INCLUDE: FILTRONA EXTRUSIONS, SAFE-HIT, CARBONITE COMPOSITES, QUICK CURB, BENT MANUFACTURING, & IMPACT RECOVERY SYSTEMS.

1" = 40'

D.C. DEPARTMENT OF TRANSPORTATION
TRANSPORTATION POLICY AND PLANNING ADMINISTRATION
BICYCLE AND PEDESTRIAN PROGRAM

15th STREET, NW

V Street, NW to W Street, NW
Pavement Marking Plans

PROJECT ENG.	_____
DESIGNED BY	_____
CHECKED BY	_____
DRAWN BY	<i>MJG</i>
PROJECT MGR.	_____
DIVISION CHIEF	
DATE	<i>February 2009</i>
FILE	_____
SHEET	1 of 1



NO	DESCRIPTION	NAME	DATE