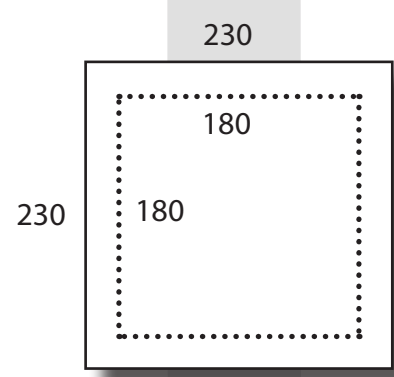
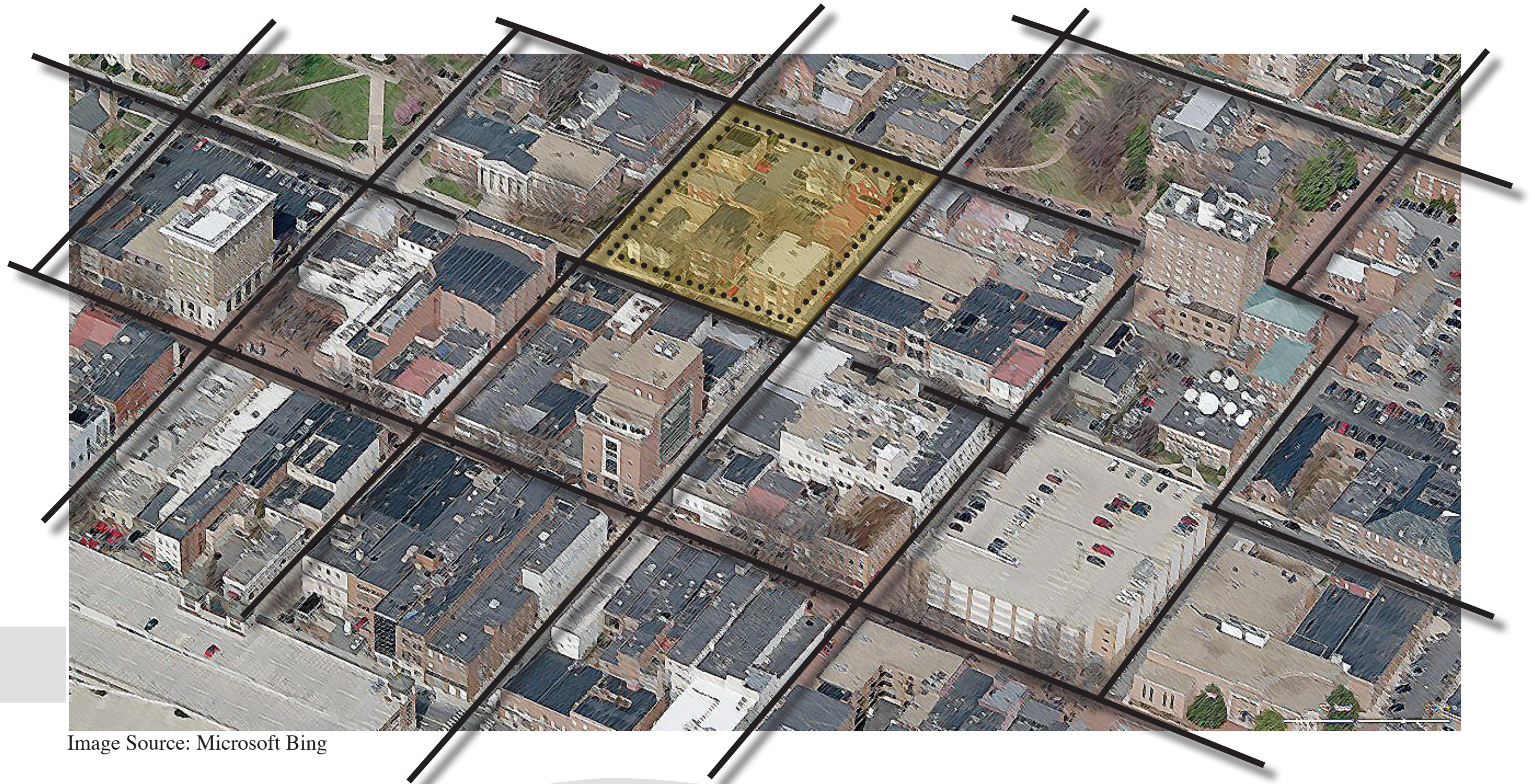
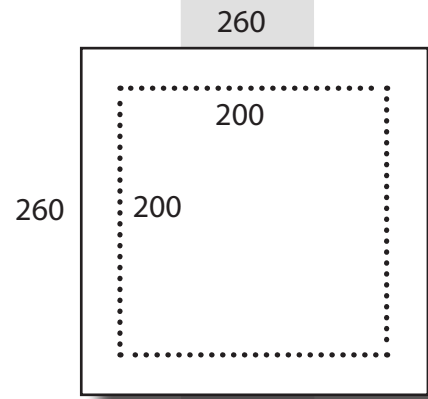


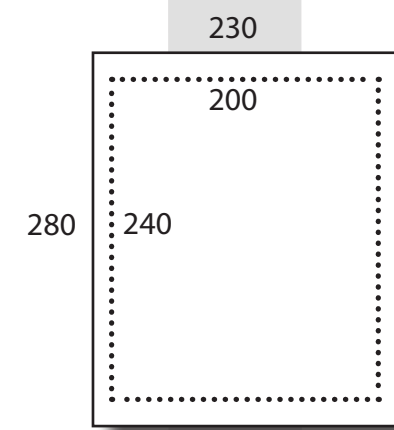
# THE VARIETY OF AMERICAN GRIDS



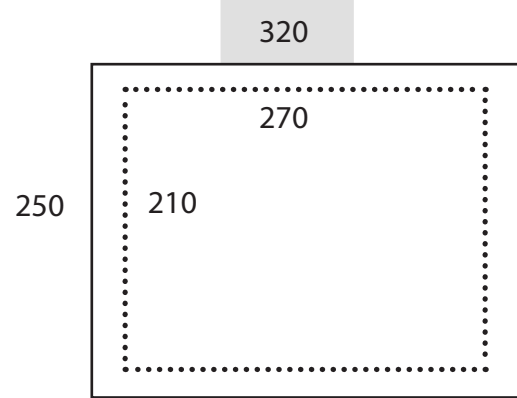
Carson City, NV



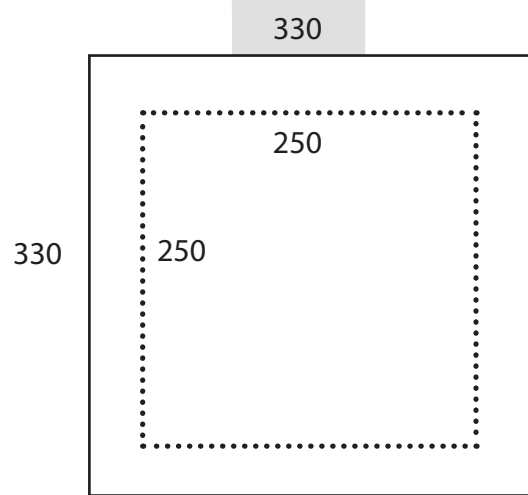
Portland, OR  
Providence, RI



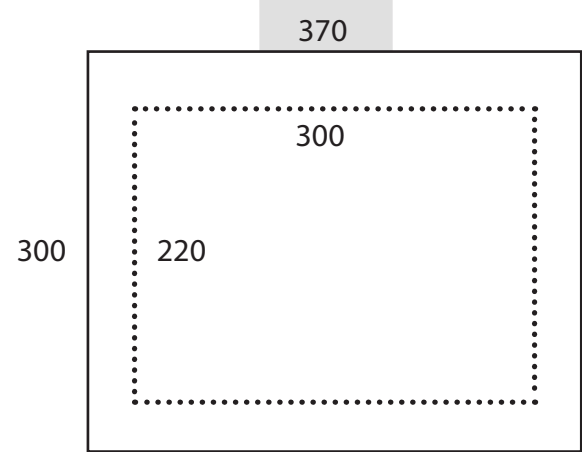
Charlottesville, VA



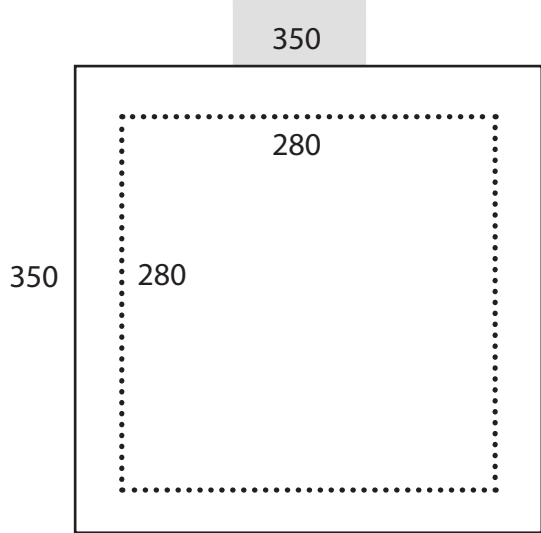
Laredo, TX



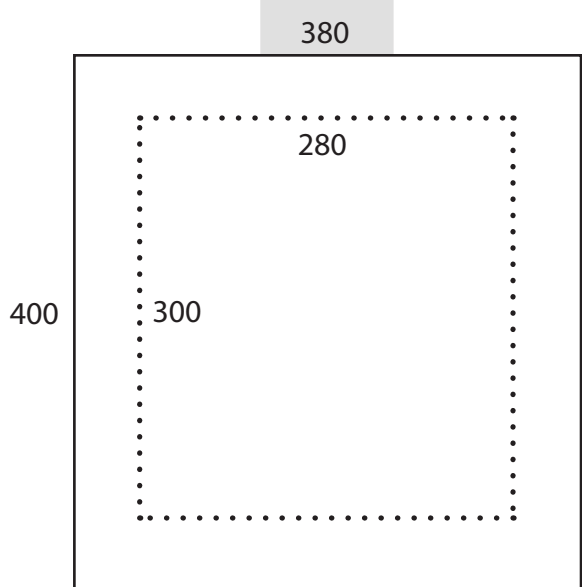
Houston, TX  
Sheridan, WY



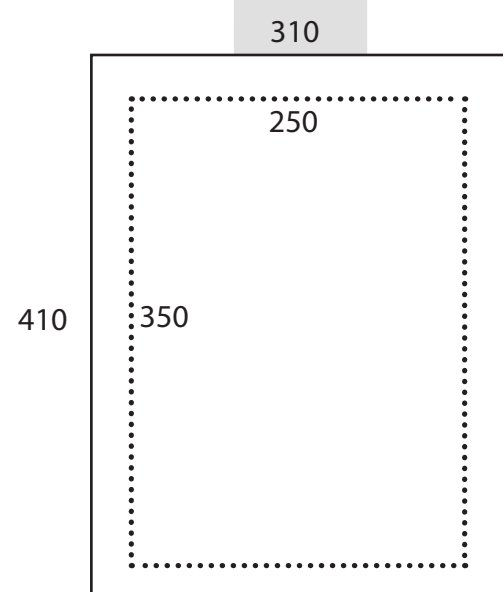
Jacksonville, FL  
Chicago, IL  
(north of river)  
Wilmington, DE  
(60' ROWs)



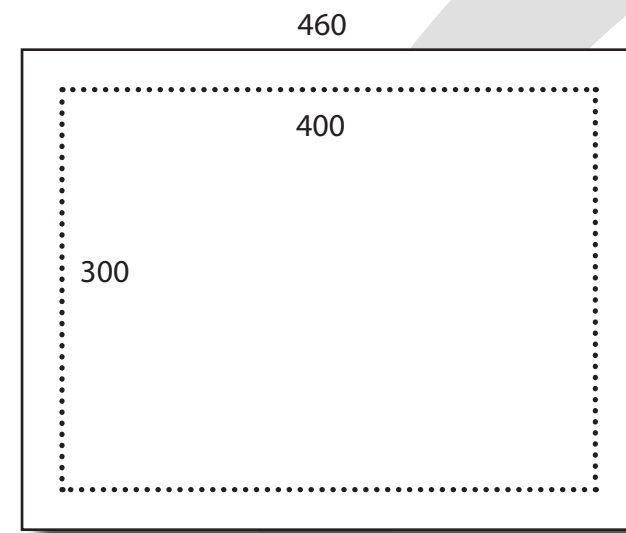
Kalamazoo, MI  
Austin, TX



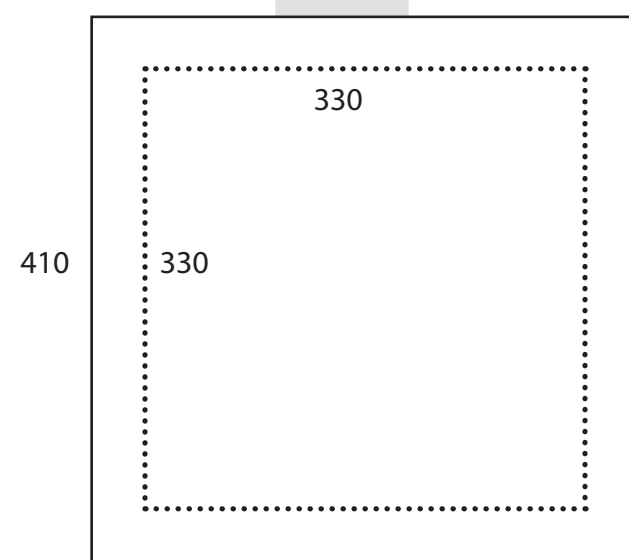
Omaha, NE



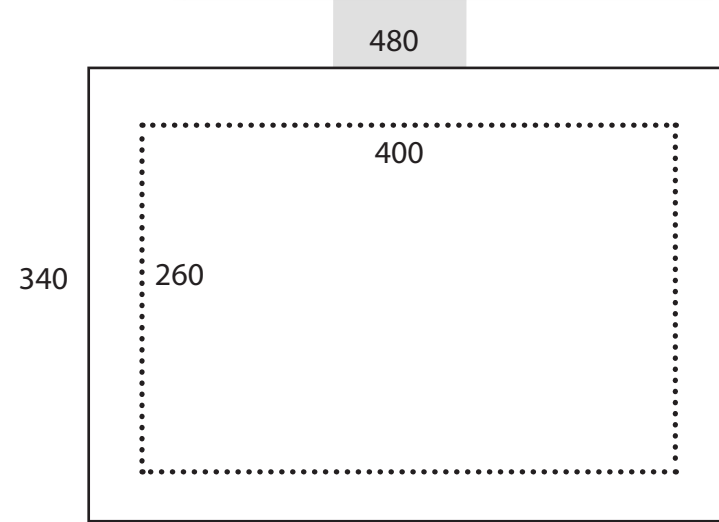
Alexandria, VA



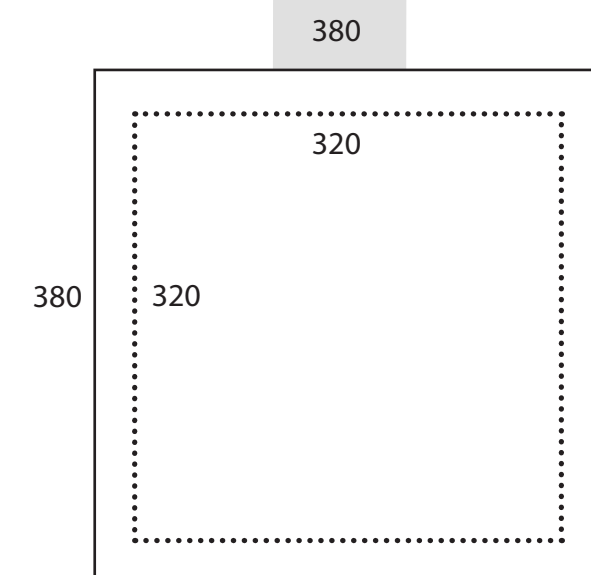
Duluth, MN  
Troy, NY



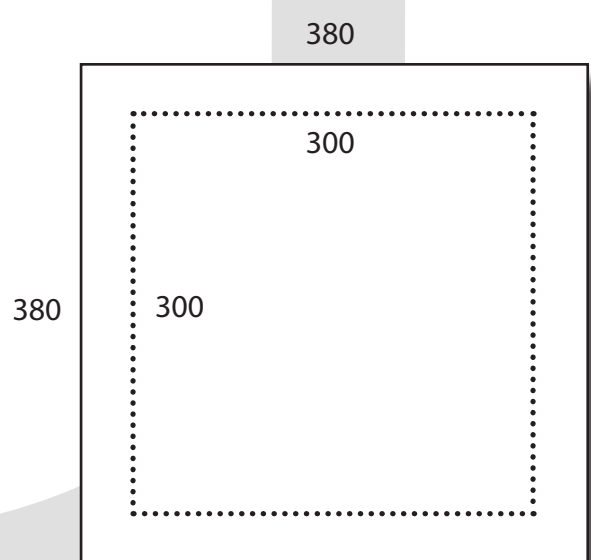
Sacramento, CA  
Erie, PA  
Burlington, VT  
(65' ROWs)



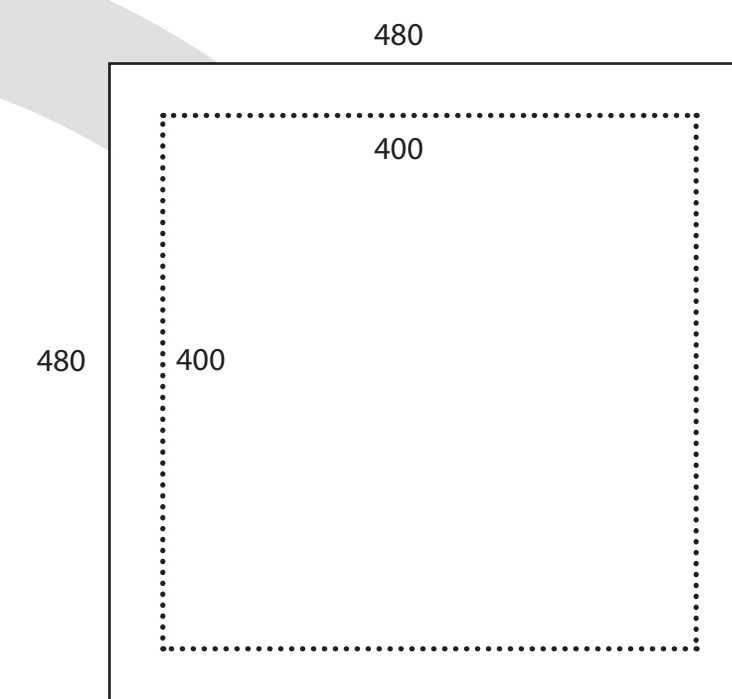
Denver, CO  
Bellingham, WA



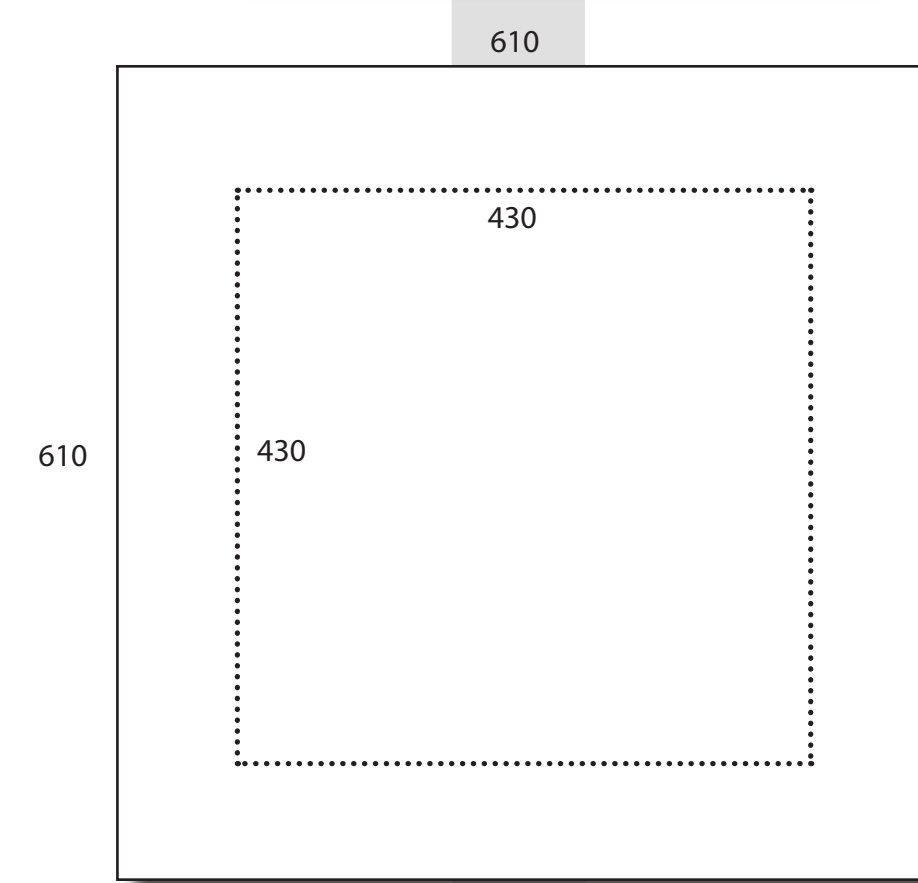
Baton Rouge, LA



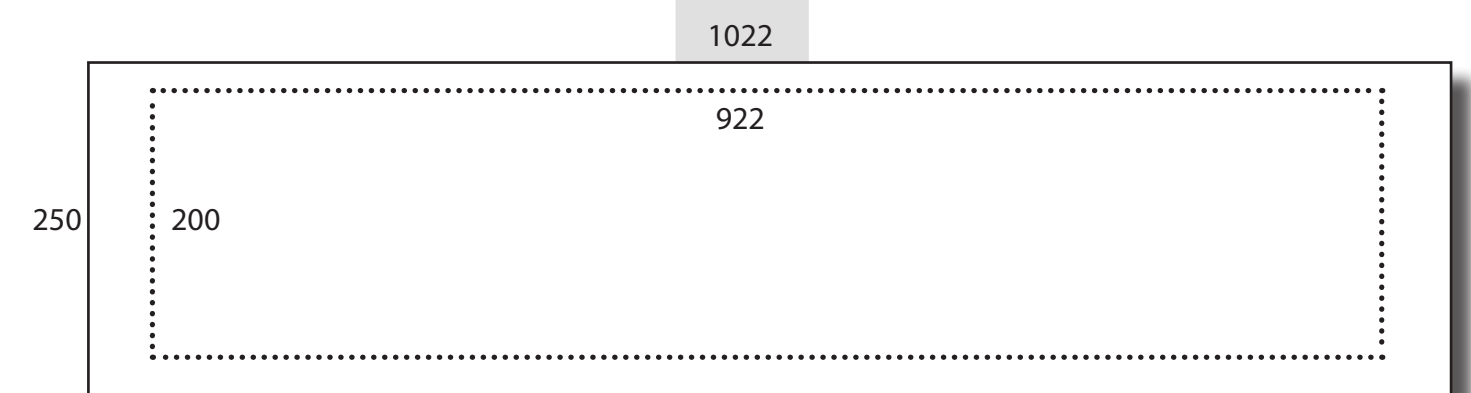
Missoula, MT  
Bismarck, ND  
Phoenix, AZ  
Tulsa, OK  
Anchorage, AK  
(70' ROWs)  
Mobile, AL  
(60' ROWs)



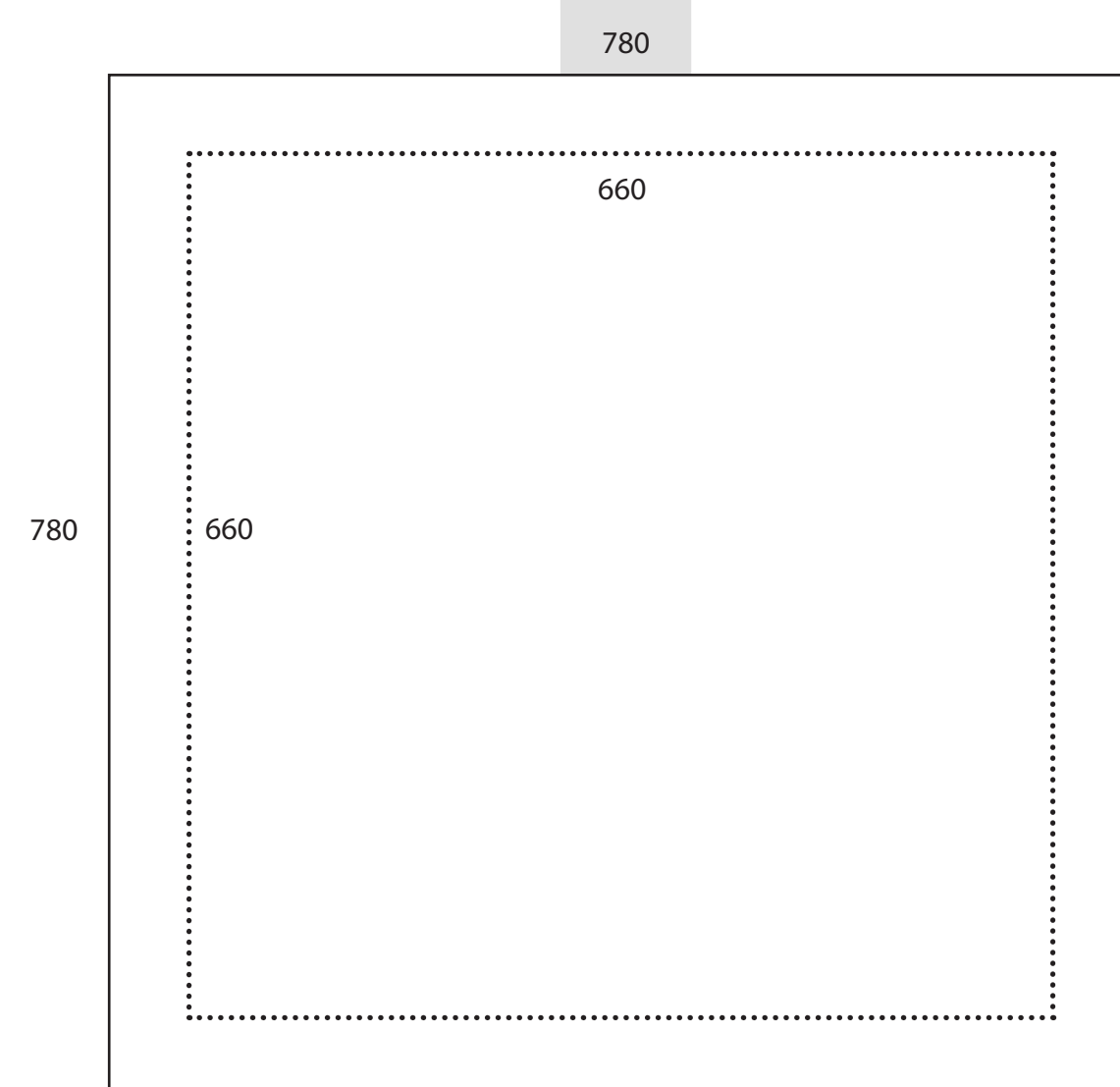
Columbus, OH  
Tucson, AZ



Macon, GA



New York City, NY



Salt Lake City, UT

Created by Daniel Nairn, May 2010



This work is licensed under a Creative Commons Attribution-ShareAlike 2.5 License